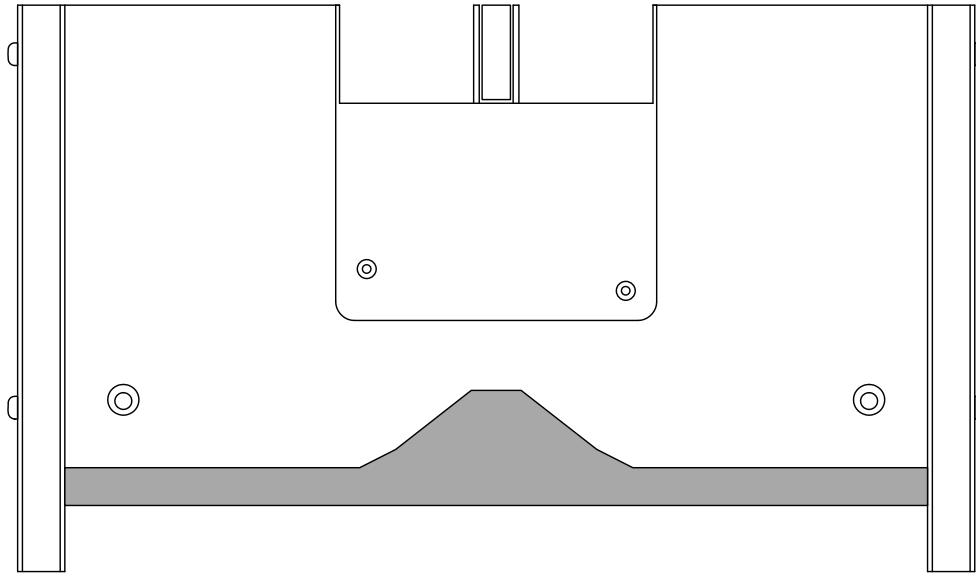
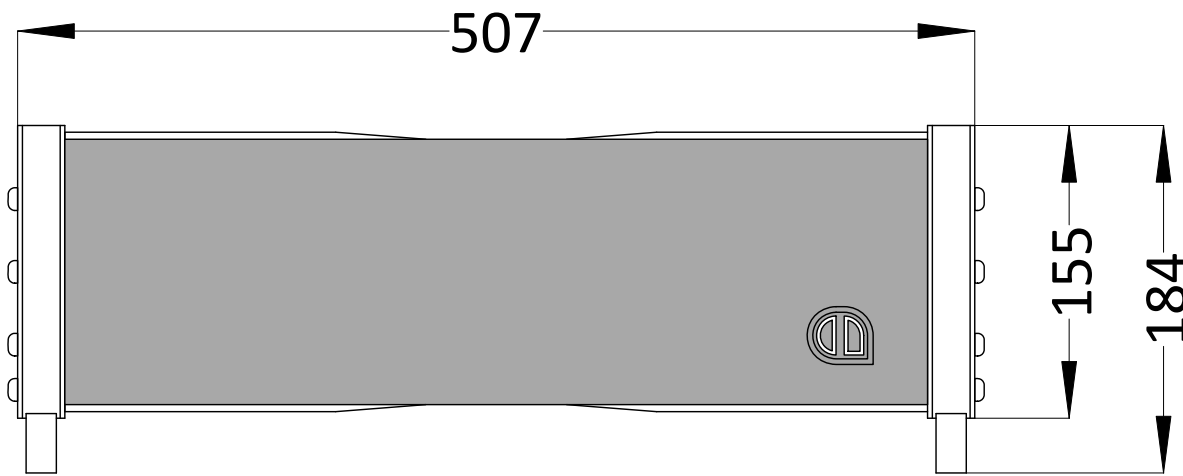


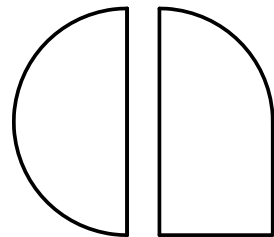
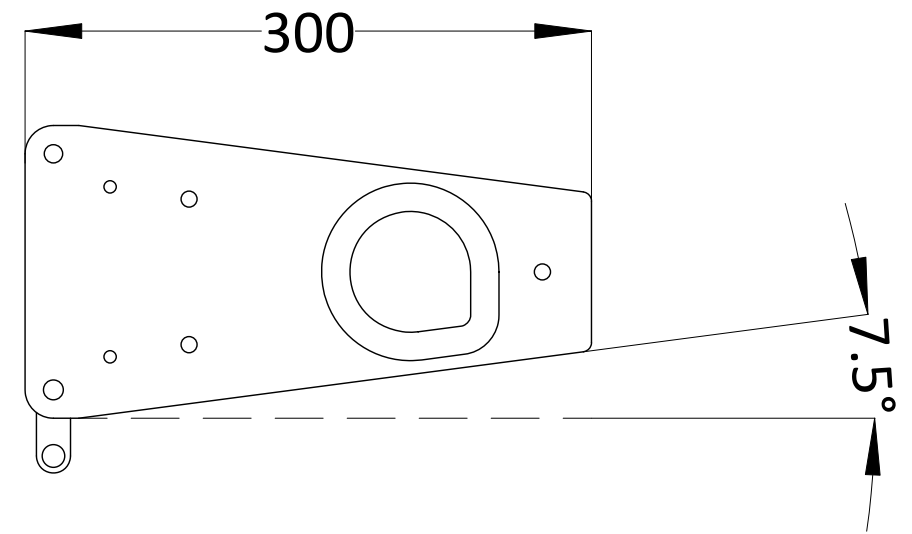
TOP



FRONT



SIDE



Drawing: Optima 5	Rev: 1
Date: 23/07/2014	CPP